



**WEKA
PARTS LIST**

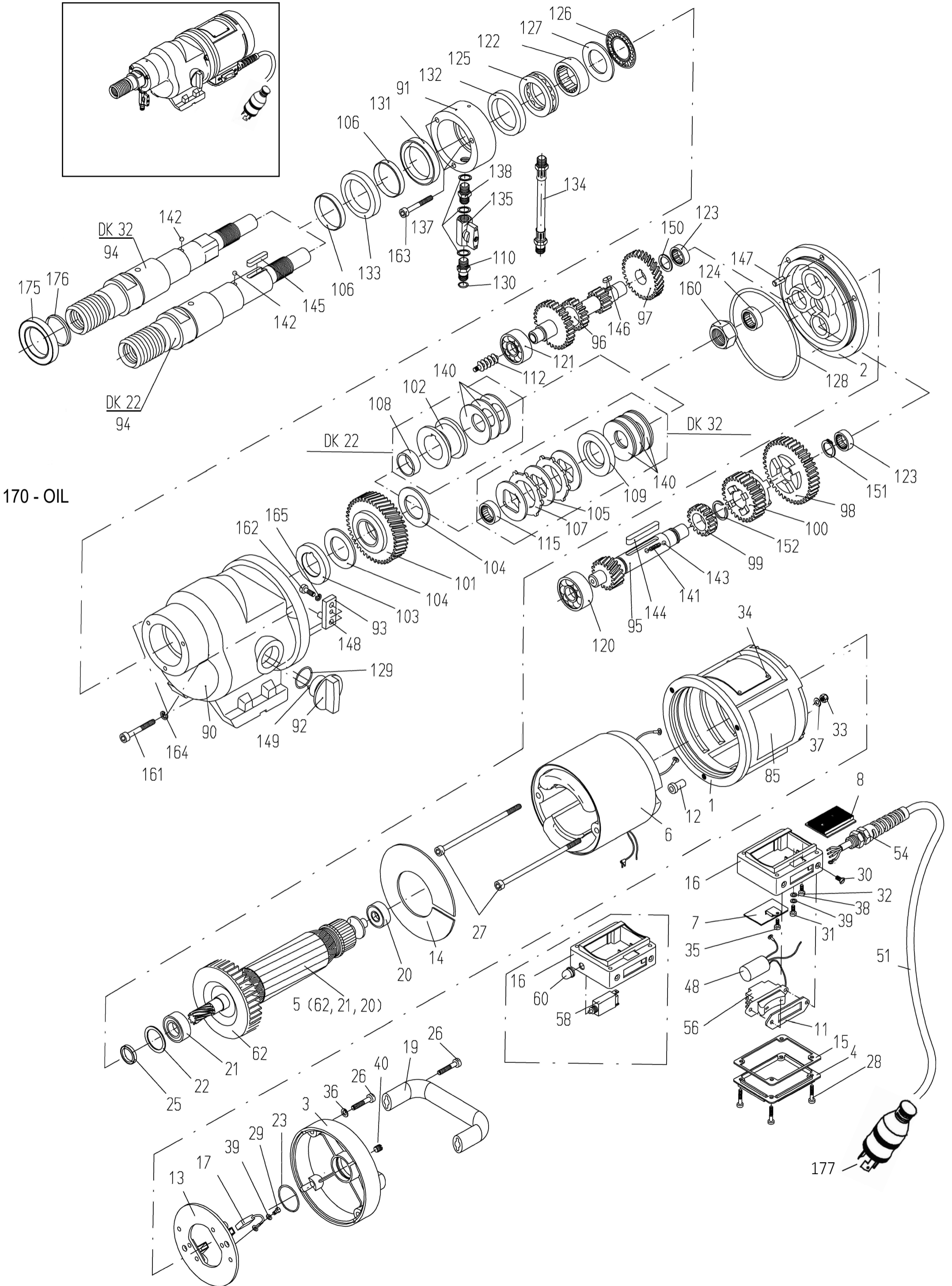
**MODEL
DK32**

**DK22: 0904068>
DK32: 0904157>**

September, 2024

Table of Contents

<u>Description</u>	<u>Page No.</u>
1. DK32 Parts Breakdown	4-7
2. Notes	8
3. Warranty	10



ITEM	DP #	DESCRIPTION	QTY
1	2700831	Motor case	1
2	2710327	Intermediate Flange w/ 25,123,124,128	1
3	2700833	Motor Top Hood O-ring	1
4	2700834	Terminal Case Cover	1
5	2703253	Armature w- Fan + Bearings 230V	1
	2703254	Armature w- Fan + Bearings 110V	1
6	2701922	Field compl. 230V	1
	2710249	Field compl. 110V	1
7	2710252	Electronic Module 230V	1
	2703260	Electronic Module 110V	1
8	2703261	Cooling Profile	1
11	2701584	Switch Sealing	1
12	2700839	Field Screw Ins Sleeve	2
13	2700840	Brush Holder Disc	1
14	2700841	Air Conducting Disc	1
15	2701080	Terminal Case Sealing	1
16	2703262	Terminal Case - Electric	1
	2701396	Terminal Case - Thermal	1
17	2701532	Carbon Brush 230V	2
	2700845	Carbon Brush 110V	2
19	2704245	Carrying Handle	1
20	2700846	Ball Bearing 6201 2Z	1
21	2700773	Ball Bearing 6002 Z	1
22	2700848	Compensation Washer	1
23	2700849	O-Ring RDR 32x3	1
25	2703241	Rotary Shaft Seal RWD12x24x7	1
26	2700852	Hex. Socket Hd Screw M6x35	6
27	2700853	Hex. Socket Hd Screw M5x120	2
28	2700854	Fill. Hd Screw M4x40	4
29	2700855	Fill. Hd Screw M4x6	2
30	2700856	Slot. Count. Hd Screw M4x6	2
31	2700674	Slot. Pan Hd Screw M4x6	1
32	2700675	Pan Hd Tapping Screw 3,9x9,5	1
33	2700858	Hexagon Nut M5	2
34	2701399	Round Hd grooved Pin 2,3x4	4
35	2701386	Th. Roll. Cheese Hd Screw M4x6	1
	2710255	Hex. Soc. Hd Screw M4x6	1
36	2700826	Locking Washer SM6	4
37	2700861	Curved Spring Washer A5	2
38	2700680	Curved Spring Washer A4	1
39	2700681	Medium Washer 4.3	3
40	2702566	Slot. Set Screw M6x5	1
48	2706625	Interference Suppression Cap	1
51	2701541	Cord 3G1,5x3,8 230V	1
	2702239	Cord 3G4x3,8m 110V	1

ITEM	DP #	DESCRIPTION	QTY
54	2701451	Cord Gland 110V and 220V	1
56	2700886	Motor Switch	1
58	2701919	Motor Protect w- Hood 110V	1
60	2700868	Protective Hood 110V	1
62	2700692	Fan	1
85	2700737	Pointing Sticker	1
90	2701924	Gearbox	1
91	2700871	Water Supply Bushing	1
92	2710325	Gear Change Grip w/ 129,149	1
93	2710326	Gear Change Lever w/ Parallel Pin	1
94	2710328	Spindle 1 1/4" w/ 106,142	1
95	2701927	Gear Change Shaft	1
	2700875	Gear Change Shaft S	1
96	2701928	Pinion Shaft	1
97	2701929	Spur Wheel	1
98	2701930	Gear Wheel 1	1
99	2701931	Gear Wheel 3	1
100	2701932	Slide Gear Wheel	1
101	2701933	Spindle Wheel	1
	2702146	Spindle Wheel S	1
103	2701083	Supporting Disk	1
104	2701934	Brake Disk A	2
105	2701935	Pressure Disk	3
106	2701064	Shaft Wearing Sleeve	2
107	2701941	Brake Disk B	2
109	2701936	Pressure Ring Quick	1
110	2700706	Connect Nipple Feed	1
112	2705979	Worm	1
115	2701938	Needle Cage	1
120	2700791	Ball Bearing 6302	1
121	2700792	Ball Bearing 6201	1
122	2700793	Needle Bearing	1
123	2700794	Needle Bush	2
124	2700795	Needle Bush	1
125	2700796	Thrust Ball Bearing	1
126	2700797	Thrust Needle Cage	1
127	2700798	Thrust Bearing Washer	1
128	2700799	O-Ring RDR102x3	1
129	2700711	O-Ring RDR20x3	1
130	2700712	O-Ring RDR11x2,5	1
131	2700802	Rotary Shaft Seal 40x52x7	1
132	2700803	Rotary Shaft Seal 38x50x7	1
133	2700804	Rotary Shaft Seal 40x52x7S	1
134	2701939	Hose Piece cpl. W-fit	1
135	2700715	Ball Valve	1
	2700925	Grip for Ball Valve	1
137	2700717	Sealing Ring	3

ITEM	DP #	DESCRIPTION	QTY
140	2700809	Disk Spring	6
141	2700810	Pressure Spring	1
142	2700811	Ball 5	1
143	2700720	Ball 4	2
144	2700813	Parallel Key A6x6x45	1
146	2700815	Parallel Key A4x4x10	1
147	2700816	Parallel Pin 6m6x10	1
148	2701065	Parallel Pin 5m6x15	1
149	2700723	Parallel Pin 3m6x16	1
150	2700819	Shim Ring PS14x20x1	1
151	2700820	Retaining Ring 16x1	1
152	2700821	Retaining Ring SW20	1
160	2700822	Hexagon Nut M22x1,5	1
161	2700823	Hex. Soc. Hd Screw M6x50	3
162	2700733	Hex. Soc. Hd Screw M5x12	1
163	2700825	Hex. Soc. Hd Screw M5x45	3
164	2700826	Locking Washer SM6	3
165	2700735	Locking Washer SM5	1
170	2700829	Gear Oil 300 ml	1
175	2705402	Antifriction-Element	1
176	2701866	O-Ring 32x1,5	2
177	2800023	Plug, 30A, 110V (NEMA L5-30P)	1
	2800108	Plug, 20A, 230V (NEMA 6-20P)	1

- | |
|--|
| <p>* OIL QTY - 10.15oz</p> <p>* CLUTCH TORQUE - 30-33ftlbs (THERMAL) / 26-30ftlbs (ELECTRONIC)</p> |
|--|

EQUIPMENT AND PARTS WARRANTY

Diamond Products warrants all equipment manufactured by it against defects in workmanship or materials for a period of one (1) year from the date of shipment to Customer.

The responsibility of Diamond Products under this Warranty is limited to replacement or repair of defective parts at Diamond Products' Elyria, Ohio factory, or at a point designated by it, of such parts as shall appear to us upon inspection at such parts, to have been defective in material or workmanship, with expense for transportation and labor borne by Customer.

In no event shall Diamond Products be liable for consequential or incidental damages arising out of the failure of any Product to operate properly.

Integral units such as engines, electric motors, batteries, transmissions, etc., are excluded from this Warranty and are subject to the prime manufacturer's warranty.

THIS WARRANTY IS IN LIEU OF ALL OTHER WARRANTIES, EXPRESSED OR IMPLIED, AND ALL SUCH OTHER WARRANTIES ARE HEREBY DISCLAIMED.



333 Prospect Street, Elyria, Ohio 44035
(440) 323-4616 • (800) 321-5336 • Fax (440) 323-8689
www.diamondproducts.com