

DIAMOND
P R O D U C T S

Hydraulic
Power Unit
PARTS LIST
MODEL CB55 LP

(Revised 02-09-04)

How to use this parts list

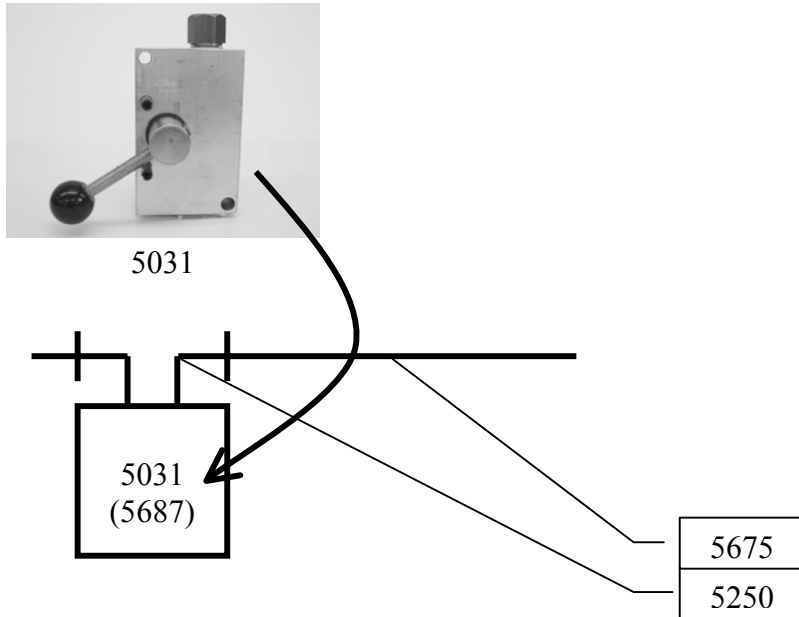
Five sections

This parts list is divided into five sections. This does not necessarily reflect the interdependence of the parts. The sections were established to simplify the identification of parts. These are the sections:

1. Feed circuit
2. Return circuit from return coupler on cooler to reservoir
3. Main circuit (piston pump to tank, piston pump to flow valve)
4. Controls / valves circuit
5. Frame, tank, reservoir

Pictures

All parts with a complex function are displayed with pictures. Every picture corresponds to a part in the circuit displayed as a square box with the item number inside and strongly related parts in brackets.



Fittings and hoses

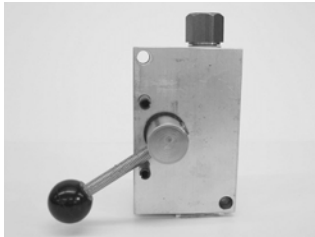
Simple parts such as hoses and fittings are identified by a bold line. Two such parts are divided either by a complex part (square box) or by a dividing bold line.

Item list

The item list uses the four digit item number, indicates the DP part number, a description and the quantity in brackets.

Item	DP #	Description
5247	25XXXXX	Elbow (2)

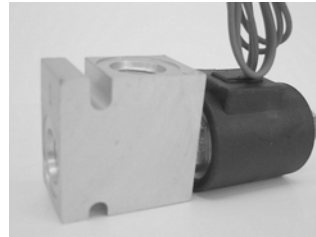
Feed circuit



5031



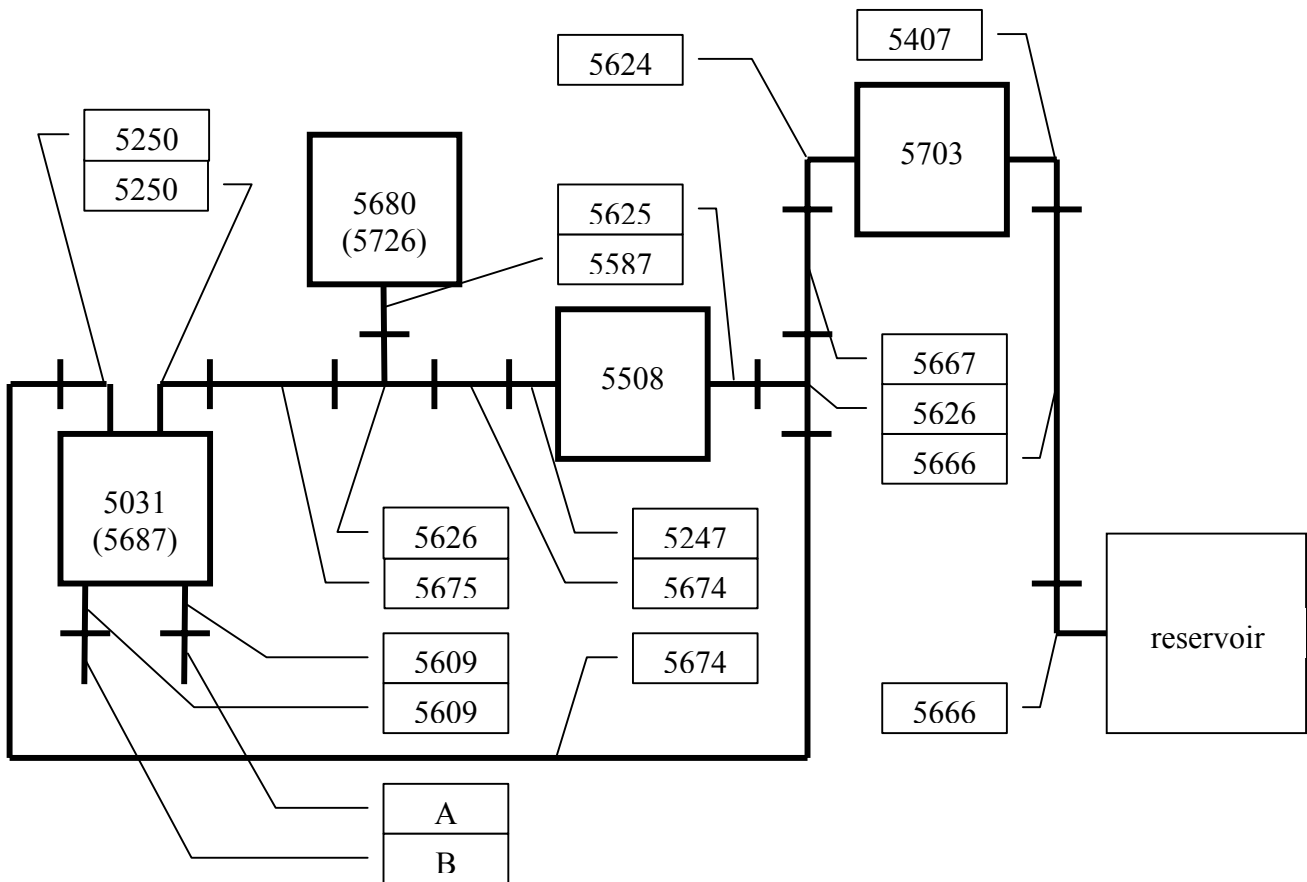
5680



5508



5703



Item	DP #	Description
5031	2703068	Valve
5687		Valve Bracket
5247		Elbow (2)
5250		Elbow (2)
5407		Elbow
5508	2703072	Solenoid valve
5587		Fitting str.
5624		Elbow
5625		Fitting str.

5626		Tee (2)
5666		Hose 3/4" x 27"
5667		Hose 3/8" x 30"
5674		Hose 3/8" x 30" (2)
5675		Hose 3/8" x 11"
5680	2703069	Filter
5726	2703070	Filter element
5700		Elbow
5703	2703071	Pump
A	3200102	3/8" Q.D. COUPLER
B	3200103	3/8" Q.D. NIPPLE

Return circuit from return coupler on cooler to reservoir



5110



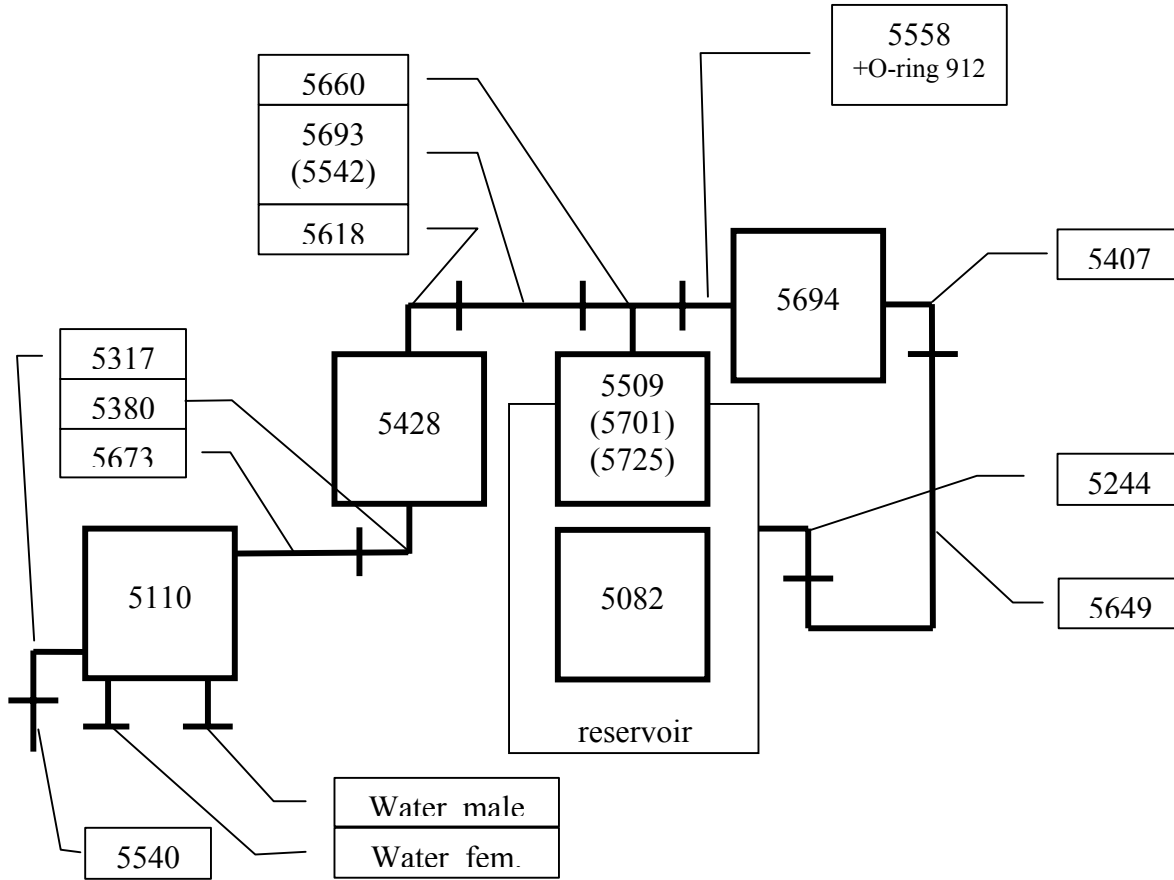
5428



5694



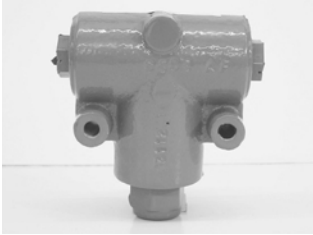
5509 (5725)



5110	2703073	Cooler
5244		Elbow
5317		Elbow
5370		Tee
5380		Elbow
5407		Elbow
5428	2702400	Flow meter
5509	2703074	Filter
5701	2703076	Filter gage
5725	2703075	Filter element
5542		Clamp

5558		Fitting str
5618		Fitting str.
5649		Tube 3/4"
5673		Hose 3/4" x 19"
5693		Pipe
5694		Check valve
5660		Tee
5082	2701489	Fluid gage
5540	3200100	QD Coupler 3/4" female
5077		Fill cap

Main circuit (piston pump to tank, piston pump to flow valve)



5358



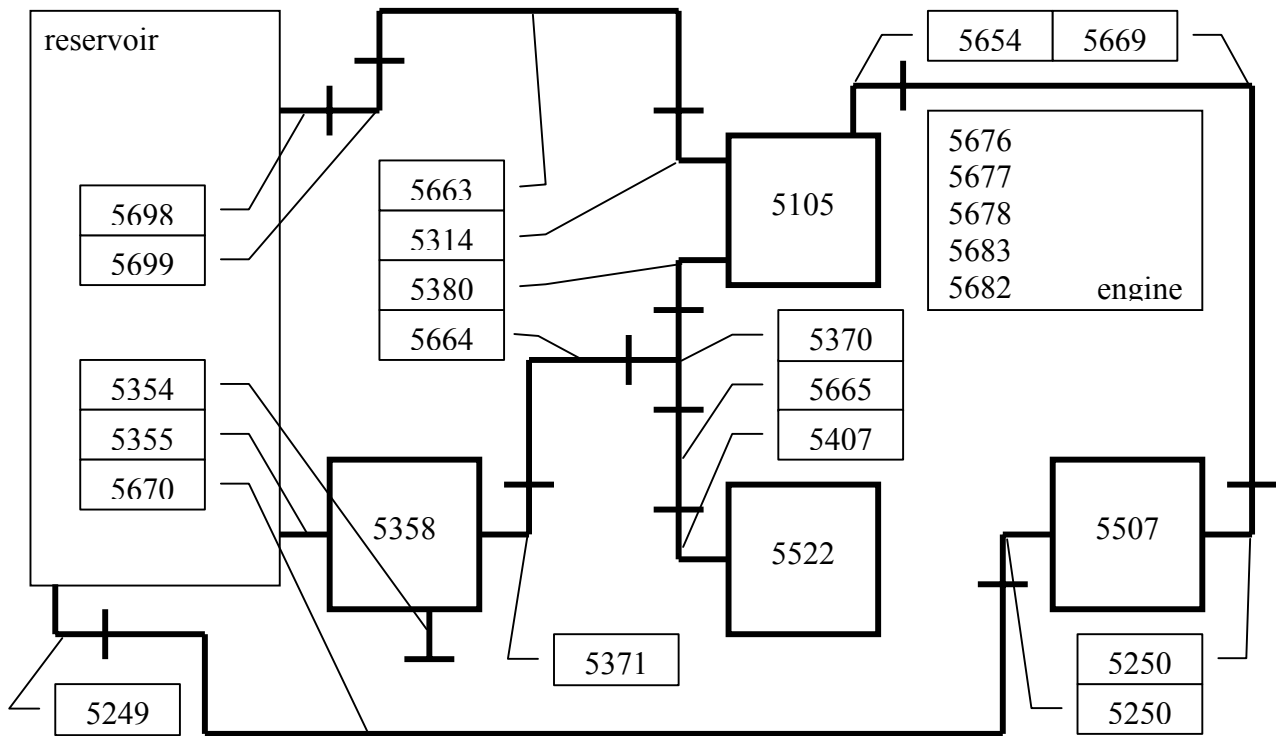
5105



5522



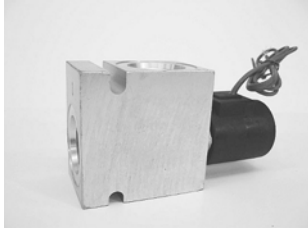
5507



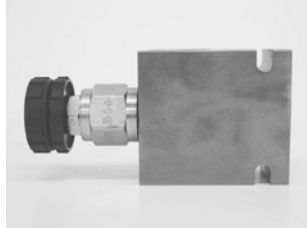
5105	2600029	Pump 2.32CIR
5249		Elbow
5250		Elbow (2)
5314		Elbow
5355		Adapter
5358	2703079	Relief valve
5354		Plug
5370		Tee (2)
5371		Elbow
5380		Elbow
5407		Elbow
5522	2703080	Flow valve
5654		Elbow

5663		Hose 1 1/2" x 18"
5664		Hose 3/4" x 34"
5665		Hose 3/4" x 36"
5669		Hose 3/8" x 65"
5670		Hose 3/8" x 50"
5676		Engine
5677		Pump mount
5678		Drive plate
5682		Cap screw (8)
5683		Cap screw (8)
5507	2703078	Cooler
5690		Cooler bracket
5698		Reducing bushing
5699		Elbow

Controls / valves circuit



5378



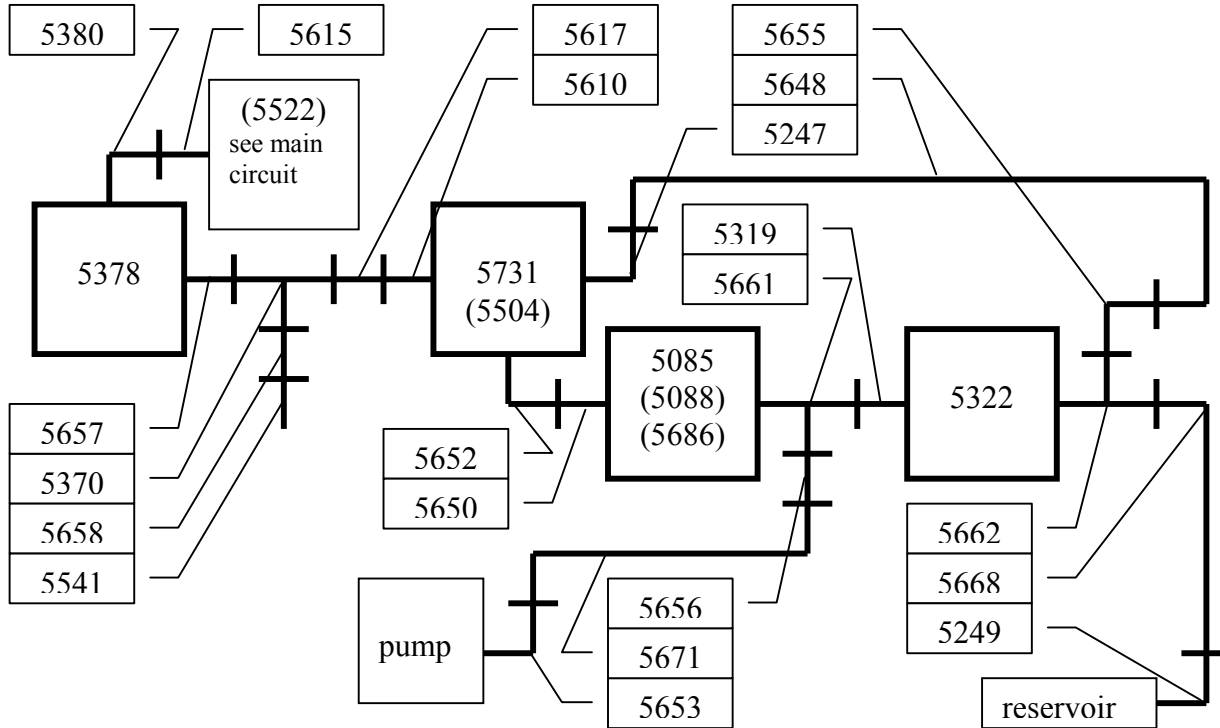
5504 / 5731



5085



5322



5085	2702185	Filter
5088	2700919	Pressure gauge/on filter?
5247		Elbow
5249		Elbow
5319		Nipple
5331		Fitting str.
5370		Tee
5378	2703084	Solenoid valve
5380		Elbow
5731	2703082	Valve body
5504	2703081	Pressure reducer
5549		Switch
5610		Fitting str.
5615		Fitting str.
5617		Fitting reducer
5650		Nipple

5652		Elbow
5653		Elbow
5656		Fitting str.
5657		Fitting str.
5658		Fitting str.
5659		Fitting str.
5661		Tee
5662		Tee
5668		Hose 3/8" x 16"
5671		Hose 1/4" x 17"
5672		Hose 1/4" x 30"
5686		Valve bracket
5570	2703083	Needle valve
5648		Tube 3/8"
5655		Elbow
5541	3200101	QD Nipple 3/4" male

Frame, tank, reservoir



5685

Fuel tank		
5685		Fuel Tank
5681		Fuel Cap Flange Assy.
5076		Fuel Cap
5175		Fuel Gage
5651		90 Elbow (2)
5727		Hose barb (2)
5728		Fuel line (2)
Reservoir		
5684		Reservoir
Engine		
5531		Throttle cable cpl.
5702		Vibration Mount
5688		Throttle Cable Bracket
5689		Throttle Panel
5696		Battery Cables (pair)
5697		Battery Post Cover
5695		Battery
	2702793	Starter
Frame		
5691		Engine Cover-Top
5692		Engine Cover-Side
5107		Rigid Caster (2)
5108		Swivel Caster (2)
Remote Control		
	2704116	Switch, Remote ON/OFF

EQUIPMENT AND PARTS WARRANTY

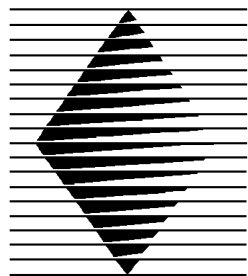
Diamond Products warrants all equipment manufactured by it against defects in workmanship or materials for a period of one (1) year from the date of shipment to Customer.

The responsibility of Diamond Products under this Warranty is limited to replacement or repair of defective parts at Diamond Products' Elyria, Ohio factory, or at a point designated by it, of such parts as shall appear to us upon inspection at such parts, to have been defective in material or workmanship, with expense for transportation and labor borne by Customer.

In no event shall Diamond Products be liable for consequential or incidental damages arising out of the failure of any Product to operate properly.

Integral units such as engines, electric motors, batteries, transmissions, etc., are excluded from this Warranty and are subject to the prime manufacturer's warranty.

THIS WARRANTY IS IN LIEU OF ALL OTHER WARRANTIES, EXPRESSED OR IMPLIED, AND ALL SUCH OTHER WARRANTIES ARE HEREBY DISCLAIMED.



DIAMOND PRODUCTS

333 Prospect Street, Elyria, Ohio 44035
(440) 323-4616 • (800) 321-5336 • Fax (440) 323-8689

www.diamondproducts.com