

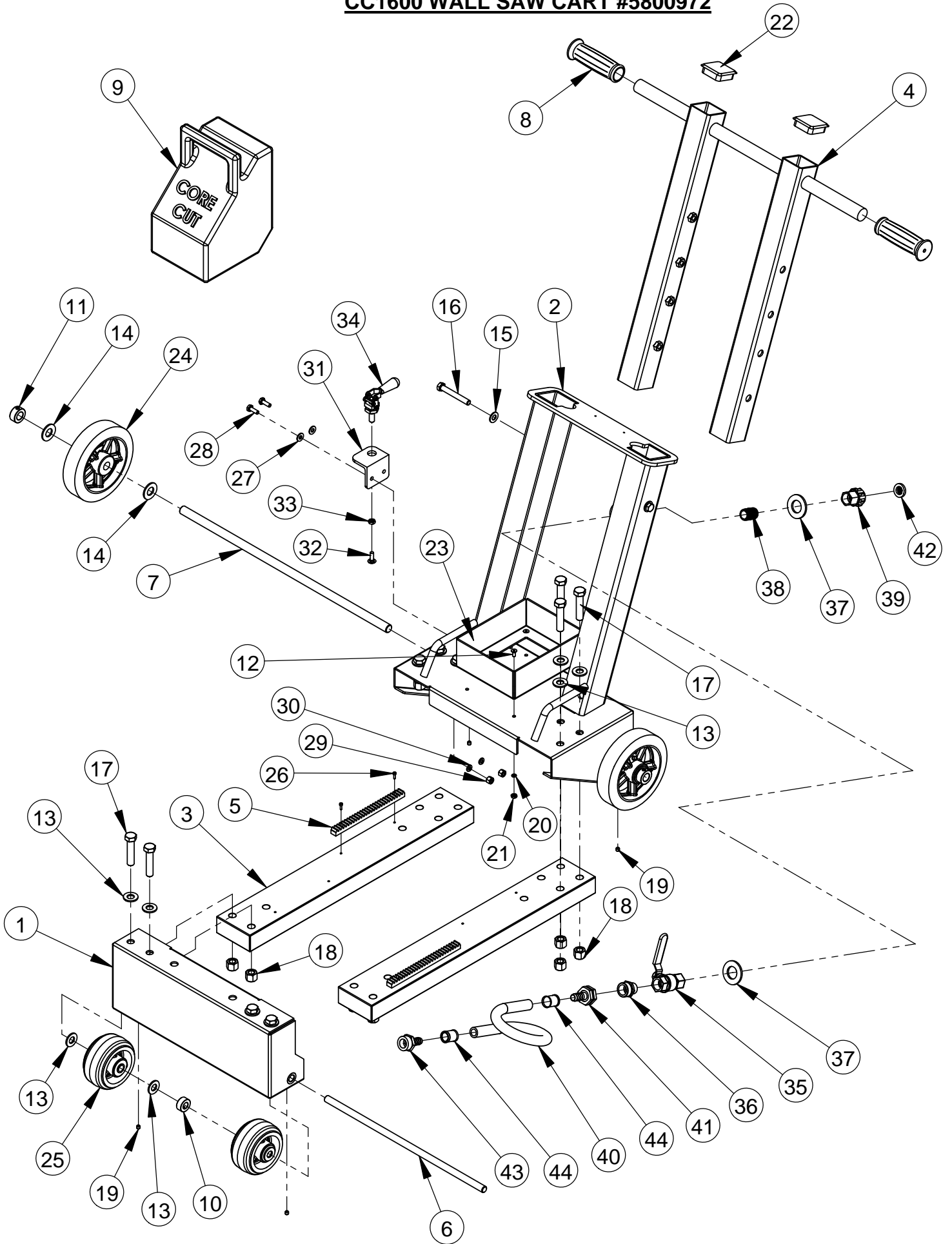


CC1600
WALL SAW CART
PARTS LIST

January 2017

Part # 1804085

CC1600 WALL SAW CART #5800972



CC1600 WALL SAW CART #5800972

ITEM NO.	PART NUMBER	QTY.	DESCRIPTION
1	6048937	1	Front Sub-frame Weldment
2	6048938	1	Rear Sub-frame Weldment
3	6048943	2	Solid Rail
4	6040213	1	Sliding Handle Weldment
5	6050219	2	Gear Rack, 7" 12 Pich
6	6090522	1	Front Axle
7	6090523	1	Rear Axle
8	2500636	2	Handle Grip
9	2501047	1	Weight
10	2500007	2	Set Collar, 1/2" with Set Screw
11	2500008	2	Set Collar, 5/8" with Set Screw
12	2900978	4	Cap Screw, Flat Hd., #10-24 x 1/2"
13	2900058	14	Flat Washer, 1/2" SAE
14	2900002	4	Flat Washer, 5/8" SAE
15	2900014	2	Flat Washer, 3/8" SAE
16	2900028	2	Cap Screw, Hex Hd., 3/8-16 x 2-3/4"
17	2900192	10	Cap Screw, Hex Hd., 1/2-13 x 2-1/4"
18	2900026	10	Lock Nut, 1/2-13 Nylon
19	2900056	4	Set Screw, Soc. Hd., 1/4-20 x 1/4"
20	2900038	4	Lock Washer, #10 Split
21	2900050	4	Hex Nut, #10-24
22	2501441	2	Cap, 2" Sq. Tube
23	6048936	1	Balast Tray
24	2500003	2	Wheel 6" x 1-1/2" x 5/8"
25	2504511	2	Wheel 4" X 2" X 1/2"
26	2900895	4	Cap Screw, Soc. Hd., M3-0.5 x 10mm
27	2900009	2	Flat Washer, 1/4" SAE
28	2900144	2	Cap Screw, Hex Hd., 1/4-20 x 3/4"
29	2900010	2	Lock Nut, 1/4-20 Nylon
30	2900024	2	Lock Washer, 1/4" Split
31	6005012	1	Toggle Brake Bracket
32	2900591	1	Carriage Bolt 0.25-20x0.75x0.75-N
33	2900358	1	Jam Nut, 1/4-20
34	2504571	1	Toggle Clamp
35	3200027	1	Water Valve
36	3200155	1	Fitting, 1/2" M. Pipe to 3/4" M. Garden
37	2900425	2	Flat Washer, 7/8" SAE
38	3200008	1	Close Nipple, 1/2" NPT
39	3200022	1	Fitting, 1/2" F. Pipe to 3/4" F. Garden
40	6000031	1	Hose, 1/2" ID x 18"
41	3200021	1	Fitting, 3/4" F. Garden to 1/2" Hose Barb
42	3200025	1	Hose Filter Washer
43	3201048	1	Fitting, 3/4" M. Garden to 1/2" Hose Barb
44	3200238	2	Ferrule, Brass 1/2" I.D. Hose

EQUIPMENT AND PARTS WARRANTY

Diamond Products warrants all equipment manufactured by it against defects in workmanship or materials for a period of one (1) year from the date of shipment to Customer.

The responsibility of Diamond Products under this Warranty is limited to replacement or repair of defective parts at Diamond Products' Elyria, Ohio factory, or at a point designated by it, of such parts as shall appear to us upon inspection at such parts, to have been defective in material or workmanship, with expense for transportation and labor borne by Customer.

In no event shall Diamond Products be liable for consequential or incidental damages arising out of the failure of any Product to operate properly.

Integral units such as engines, electric motors, batteries, transmissions, etc., are excluded from this Warranty and are subject to the prime manufacturer's warranty.

THIS WARRANTY IS IN LIEU OF ALL OTHER WARRANTIES, EXPRESSED OR IMPLIED, AND ALL SUCH OTHER WARRANTIES ARE HEREBY DISCLAIMED.



333 Prospect Street, Elyria, Ohio 44035
(440) 323-4616 • (800) 321-5336 • Fax (440) 323-8689
www.diamondproducts.com