

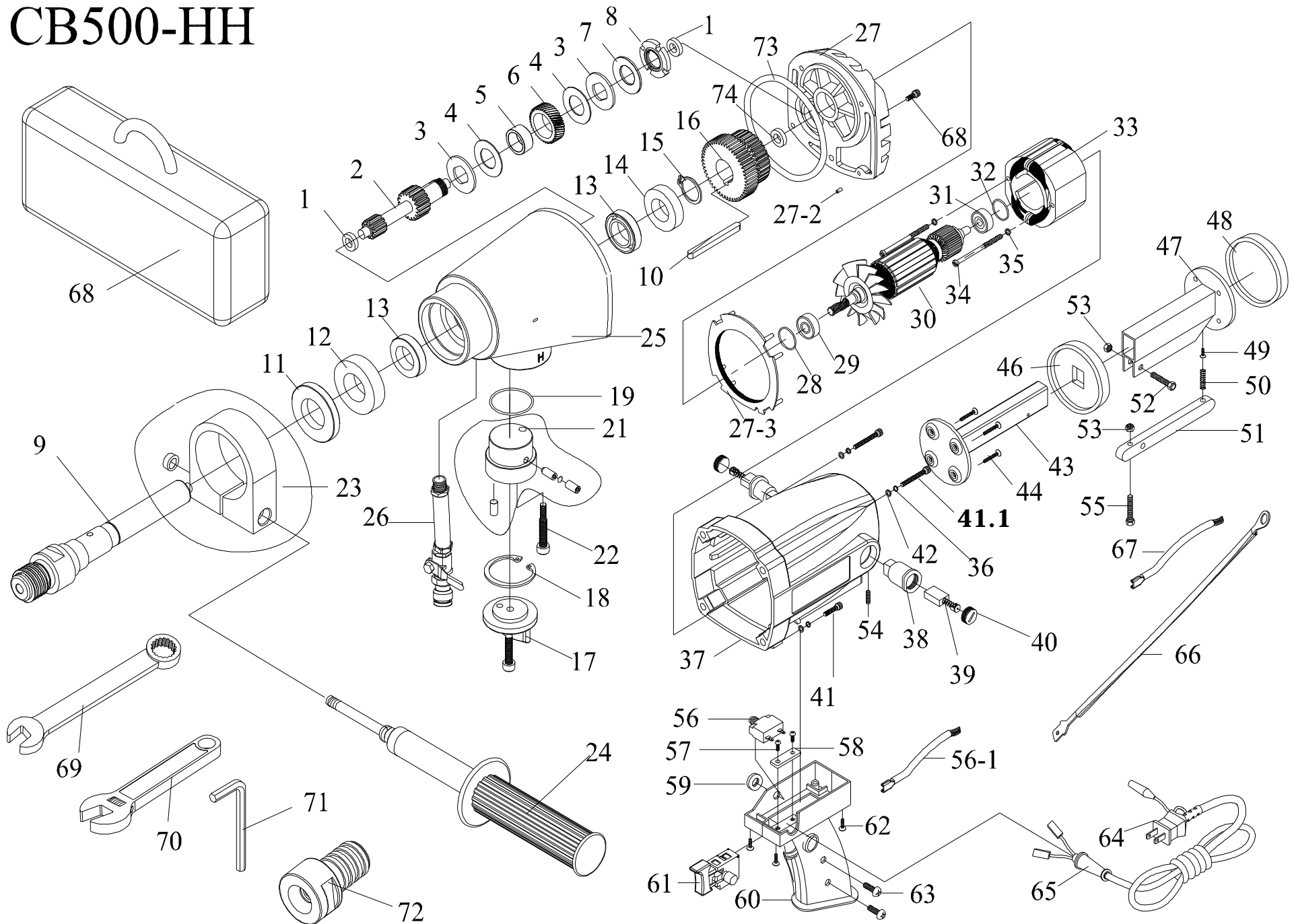


Model:
CB500-HH
PARTS LIST

DEC/2016

Part # 1801142

CB500-HH



CB500-HH
Parts List

Item No.	Part No.	Qty.	Description	Item No.	Part No.	Qty.	Description
1	2705550	3	Bearing 608ZZ/CM	38	2705587	2	Brush Tube 7*11
2	2705551	1	Shaft, Secondary	39	2705589	1	Carbon Brush (2)
3	2705552	2	Plate	40	2705590	2	Brush Cover
4	2705553	2	Friction Plate	41	2705591	2	Screw M5 X 0.8 X 30
5	2705554	1	Copper Collar	41.1	2708375	2	Screw M5 X 0.8 X 50
6	2705555	1	Gear, Second	42	2705592	4	Spring Washer M5
7	2705556	1	Disk Spring	43	2705593	1	Telescoping Tube
8	2705557	1	U-Nut	44	2705594	4	Screw 5/32" x .625
9	2705558	1	Spindle 5/8"-11	45	2705595	4	Nut M5 (NO LONGER REQ.)
10	2705559	1	Woodruff Key	46	2705596	1	Holder
11	2705560	1	Seal, 25x50x8	47	2705597	1	Telescoping Tube
12	2705561	1	Ball Bearing 6005LLU	48	2705598	1	Holder
13	2705562	2	Seal, 22x35x8	49	2705599	1	Screw 1/8"
14	2705563	1	Bearing 6904LLU	50	2705600	1	Spring
15	2705564	1	S-ring S20	51	2705601	1	Shifter
16	2705565	1	Gear, First	52	2705602	1	Screw M6 X 35
17	2705566	1	Speed shift knob	53	2705603	2	Nut M6
18	2705567	1	R-ring R32	54	2705588	2	Screw M5 X 0.8 X 10
19	2705568	1	O-ring	55	2705604	1	Screw M6 X 25
20	N/A		See Figure #21 (2705570)	56	2705605	1	Circuit Breaker
21	2705570	1	Speed Shift Base	57	2705606	2	Screw 5/32" X .500
22	2705571	1	Screw, M5X0.8X45	58	2705607	1	Cable Fix Plate
23	2705572	1	Handle Collar	59	2705608	1	Washer
24	2705573	1	Handle	60	2705609	1	Switch Box
25	2705574	1	Gear Case	61	2705610	1	Power Switch
26	2705575	1	Hose Set	62	2705611	4	Screw 5/32" X 1.500
26.2	2705622	1	Plastic Hose	63	2705612	2	Screw 5/32" X .750
26.3	2705623	1	Fitting, Brass Barb 3/4" X 3/8"	64	2705613	1	Electric Cable
27	2705576	1	Diaphragm	65	2705614	1	Female Quick Connect
27.2	2705855	1	Pin	66	2705615	1	Ground Cable
27.3	2705856	1	Baffle	67	2705616	1	Cable
28	2705577	1	O-Ring 224	68	2705617	1	Carrying Case
29	2705578	1	Bearing, 609LLU/C3	69	2705618	1	27mm Wrench
30	2705579	1	Armature	70	2705619	1	Adjustable Wrench
31	2705580	1	Bearing, 608ZZ/C3	71	2705620	1	5 mm Allen Wrench
32	2705581	1	Filling Ring 608	72	2705621	1	Adaptor 5/8"-11 to 1 1/4"-7
33	2705582	1	Field	N/A	2705624	1	Tool Set (includes #69-72)
34	2705583	2	Screw 3/16 x 2.500	73	2705857	1	O-ring (80X2.0MM)
35	2705584	2	Spring Washer M5	74	2705858	1	Bearing (608ZZ)
36	2705585	2	Nut M5 (NO LONGER REQ.)				
37	2705586	1	Motor House				

EQUIPMENT AND PARTS WARRANTY

Diamond Products warrants all equipment manufactured by it against defects in workmanship or materials for a period of one (1) year from the date of shipment to Customer.

The responsibility of Diamond Products under this Warranty is limited to replacement or repair of defective parts at Diamond Products' Elyria, Ohio factory, or at a point designated by it, of such parts as shall appear to us upon inspection at such parts, to have been defective in material or workmanship, with expense for transportation and labor borne by Customer.

In no event shall Diamond Products be liable for consequential or incidental damages arising out of the failure of any Product to operate properly.

Integral units such as engines, electric motors, batteries, transmissions, etc., are excluded from this Warranty and are subject to the prime manufacturer's warranty.

THIS WARRANTY IS IN LIEU OF ALL OTHER WARRANTIES, EXPRESSED OR IMPLIED, AND ALL SUCH OTHER WARRANTIES ARE HEREBY DISCLAIMED.



333 Prospect Street, Elyria, Ohio 44035
(440) 323-4616 • (800) 321-5336 • Fax (440) 323-8689
www.diamondproducts.com